

BLISS2

SMART THERMOSTAT BLISS2
1C.B1.9.005.007



BLISSCLIMA.COM

TECHNICAL SPECIFICATION

Power supply: 3 x 1.5 V alkaline batteries type AAA - LR03
Temperature adjustment: (+5...+37)°C
Resolution: 0.1°C
Degree of protection: IP20
Output: 5 A 250 V AC changeover volt-free contact
Mounting: Wall

INSTALLATION NOTES

SAFETY REQUIREMENTS

The installation and assembly of electrical equipment must be performed by experienced personnel. Before connecting the thermostat, make sure that the load (pump, valve, boiler, etc ...) is not powered and that it falls within the thermostat's contact rating.

POSITIONING

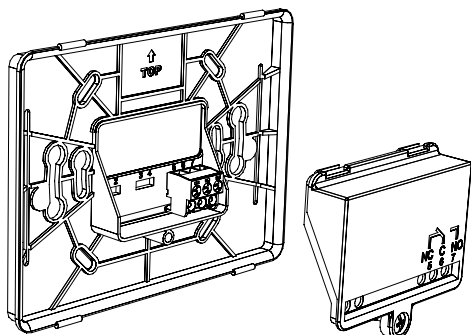
Install the thermostat away from heat sources (radiators, direct sunlight, kitchens), away from doors/windows, and mount approximately 1.5 meters above floor level.

FIXING BASE TO WALL

First, detach thermostat from its base by inserting two fingers into the central rear hole and, with the other hand, pull the front of the thermostat towards you.

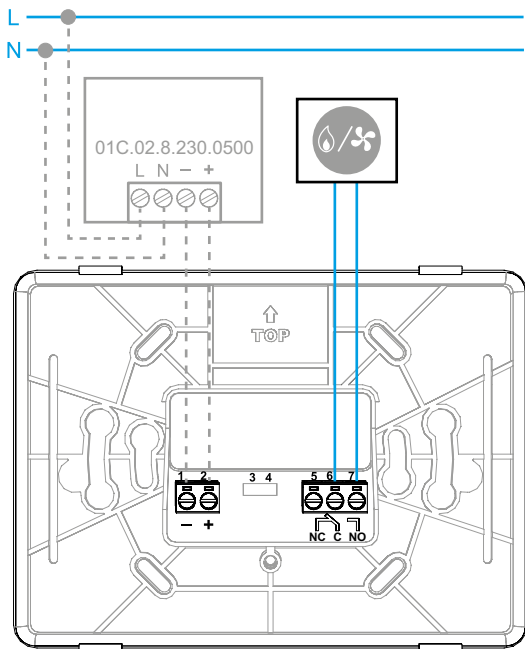
FIXING BASE

Secure the Smart Bliss2 thermostat base to the wall using the screws included in the package. When fixing, be careful not to over-tighten the screws to avoid damaging the base.



ELECTRICAL CONNECTIONS

To make the connections, first refer to instructions for your heating system (pump, valve, boiler, etc ...), then remove the terminal cover and connect the appropriate wires to terminals 6 (COM) and 7 (NO) of the Smart Bliss2 thermostat.

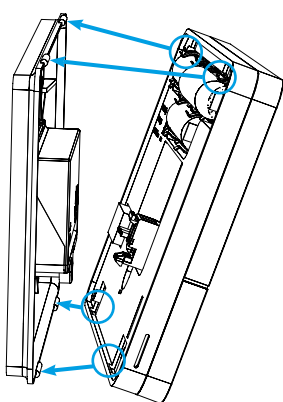


01C.02.8.230.0500: OPTIONAL power supply

BATTERY INSERTION AND MOUNTING

THE THERMOSTAT

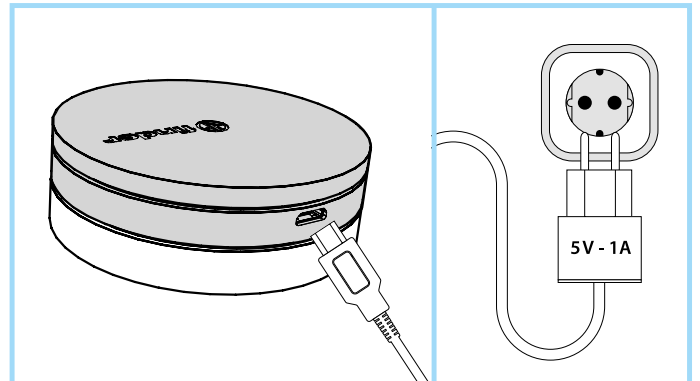
- Insert 3 x 1.5V alkaline batteries type AAA - LR03, paying attention to the indicated polarity. After inserting the batteries, initialization screens will appear. Wait for this process to finish and the detected temperature will then appear.
- Mount the thermostat to its base by first engaging the bottom part of the thermostat with the lower pins of the base plate, then close the upper part of the thermostat to lock onto the upper pins



The thermostat is now ready to be configured. However, the Gateway must first be installed.

GATEWAY INSTALLATION

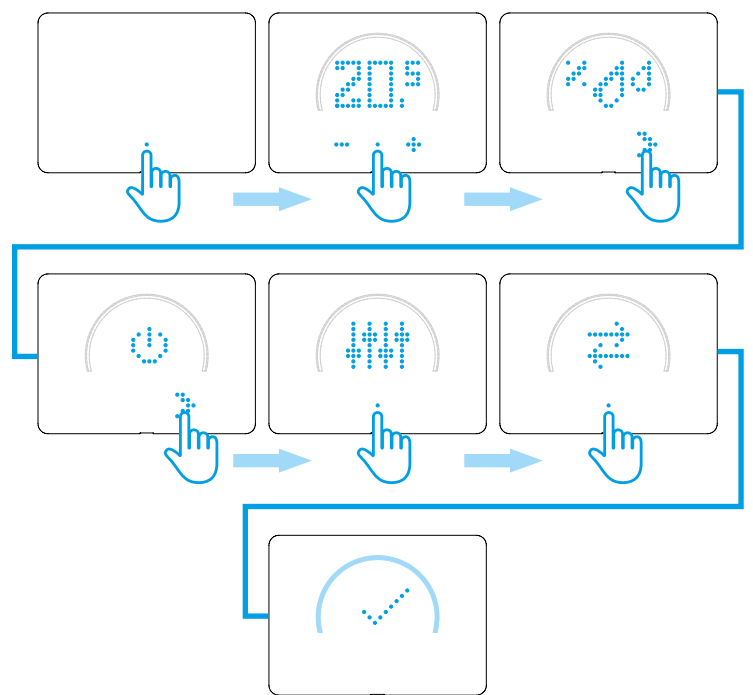
Connect the Micro USB connector to the Gateway (1Y.GU.005.1) and plug the power supply into to the electrical outlet



After switching on, the luminous base of the Gateway flashes with a fading white light - which indicates it is awaiting configuration.

CONFIGURATION

To configure the Gateway and the Smart Bliss2 Thermostat, download the Finder Bliss application from the Google Play Store or the Apple Store and proceed with the configuration following the tutorial on the App. When requested by the App, activate the association of the thermostat following the following screens:



When done, the temperature detected by the Smart Bliss2 thermostat will be displayed in the application

THE LUMINOUS BASE - NOTES

WHITE LED

- Fading flashing: waiting for configuration
- Fixed: Wi-Fi network and Cloud connection present
- 2 Flashes: Connected to the Wi-Fi network but no connection to the Cloud (Check your Internet connection)
- 3 Flashes: No connection to the Wi-Fi network and no connection to the Cloud (Check your Wi-Fi network)

BLUE LED

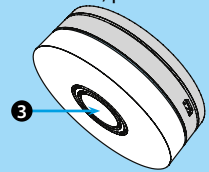
- Flashing: sending Bluetooth commands

RED LED

- Flashing: sending commands to the Smart Bliss2 Thermostat

To change the light intensity of the GATEWAY base, press the button:

- 1 time: Low brightness
- 2 times: Medium-Low brightness
- 3 times: Medium-High brightness
- 4 times: High brightness



RESET

Press the button for > 10 seconds to restore factory settings

More information on:

