

39 Series

www.finder-us.com

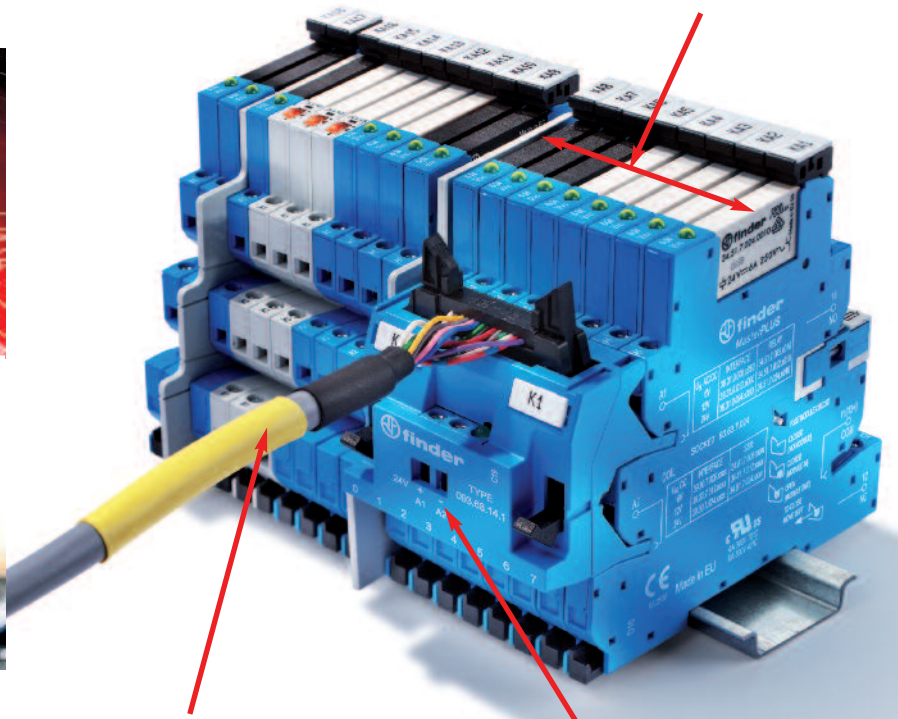
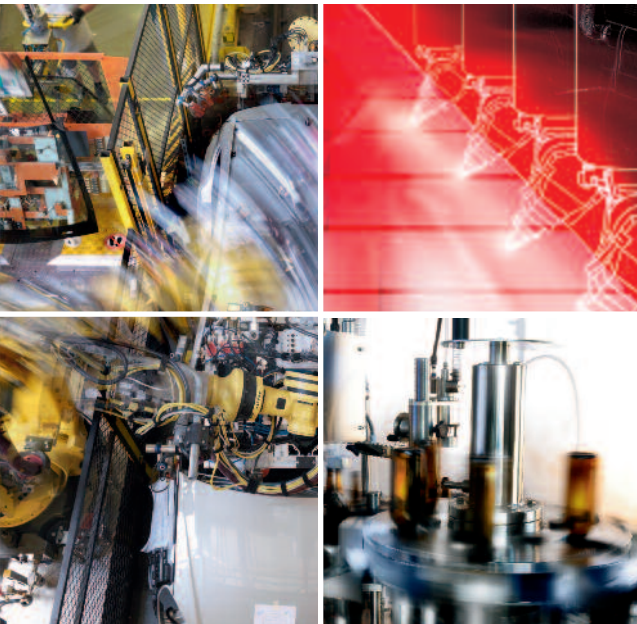


finder®

The power in relays and timers since 1954

REPORT

8 MasterINTERFACE Relays



14-Pole Cable

MasterADAPTER

Time Saving Accessories for 39 Series

MasterADAPTER 093.68.14.1 & Cable 093.000.20U

The 39 Series **MasterADAPTER** & 14-pole 6.5' long cable provides an easy connection of A1/A2 coil terminals of up to 8 **MasterINTERFACE** relays to the PLC output card.

FINDER products have a wide range of quality approvals with great switching performance. Compliant with the CE directive, IEC standards and the RoHS directive.



ISO 9001:2008

ISO 14001:2004



Special features

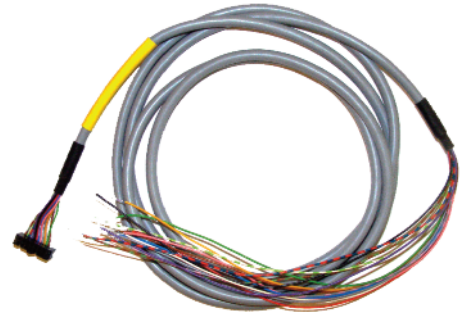
- UL/CSA approved data transmission cable, control and connecting cable for transmission of analog and digital signals
- Largely resistant to acids, bases and specified types of oil
- Free from lacquer damaging substances and silicone (during production)

Remarks

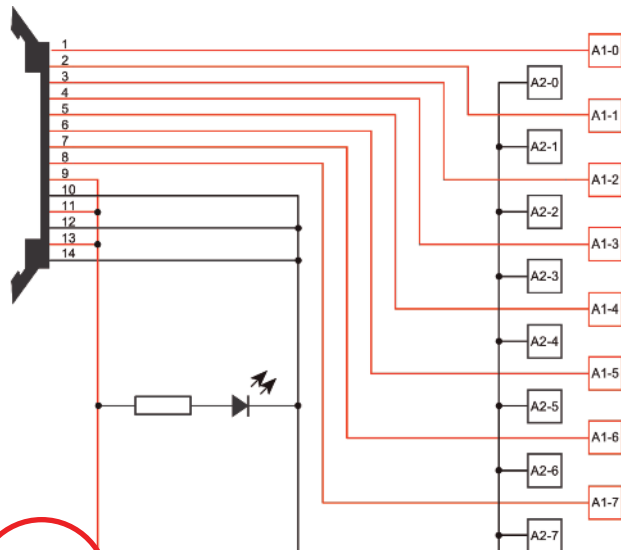
- Conform to RoHS - Conform to 2006/95/EC-Guideline CE

Structure & Specifications

Conductor material:	copper strand tinned
Dimension:	21 x 26/7 AWG (0.14 mm ²); outer Ø 7.1mm; length 2m (6.5 feet)
Core insulation:	PVC
Core identification:	according to DIN 47100 different colors
Outer sheath:	PVC
Sheath color:	grey
Rated voltage:	300 V
Testing voltage:	core/core: 1.5 kV
Conductor resistance:	according to DIN VDE 0295 class 2 resp. IEC 60228 cl. 2
Insulation resistance:	min. 100 MOhm x km
Current carrying capacity:	according to DIN VDE, 1.5A per conductor
Capacity:	120 nF/km
Min. bending radius fixed:	53.5mm (2.1 in)
Min. bending radius moved:	106.5mm (4.2 in)
Operating Temp.:	fixed min/max -30 °C (-22 °F) / +80 °C (+176 °F)
Operating Temp.:	moved min/max - 5 °C (23 °F) / +80 °C (+176 °F)
Burning behavior:	self-extinguishing & flame-retardant according to IEC 60332-1
Standard:	UL-Style 1061, UL-Style 2464 and CSA AWM I/II
Approvals:	UL & CSA
Adapter:	093.68.14.1
Cable:	093.000.20U



Wiring Diagram



24 V DC Power Supply

24V DC (+) & (-) Supply Wire for PLC Output Card

Color	Pin #	Terminal
Black	09	A1 positive
Pink/Gray	11	A1 positive
Green/White	13	A1 positive
Purple	10	A2 negative
Red/Blue	12	A2 negative
Brown/Green	14	A2 negative



24V DC(+) Supply Wire for Relay Coil (A1 Terminal)

Color	Pin #	Terminal
White	01	A1-0
Brown	02	A1-1
Green	03	A1-2
Yellow	04	A1-3
Gray	05	A1-4
Pink	06	A1-5
Blue	07	A1-6
Red	08	A1-7

Available for the following 39 Series Interface Relays with 24V DC Coil

MasterBASIC
MasterPLUS
MasterOUTPUT
MasterTIMER

For details please see 39 Series data sheet

www.finder-us.com

093.68.14.1 - MasterADAPTER